

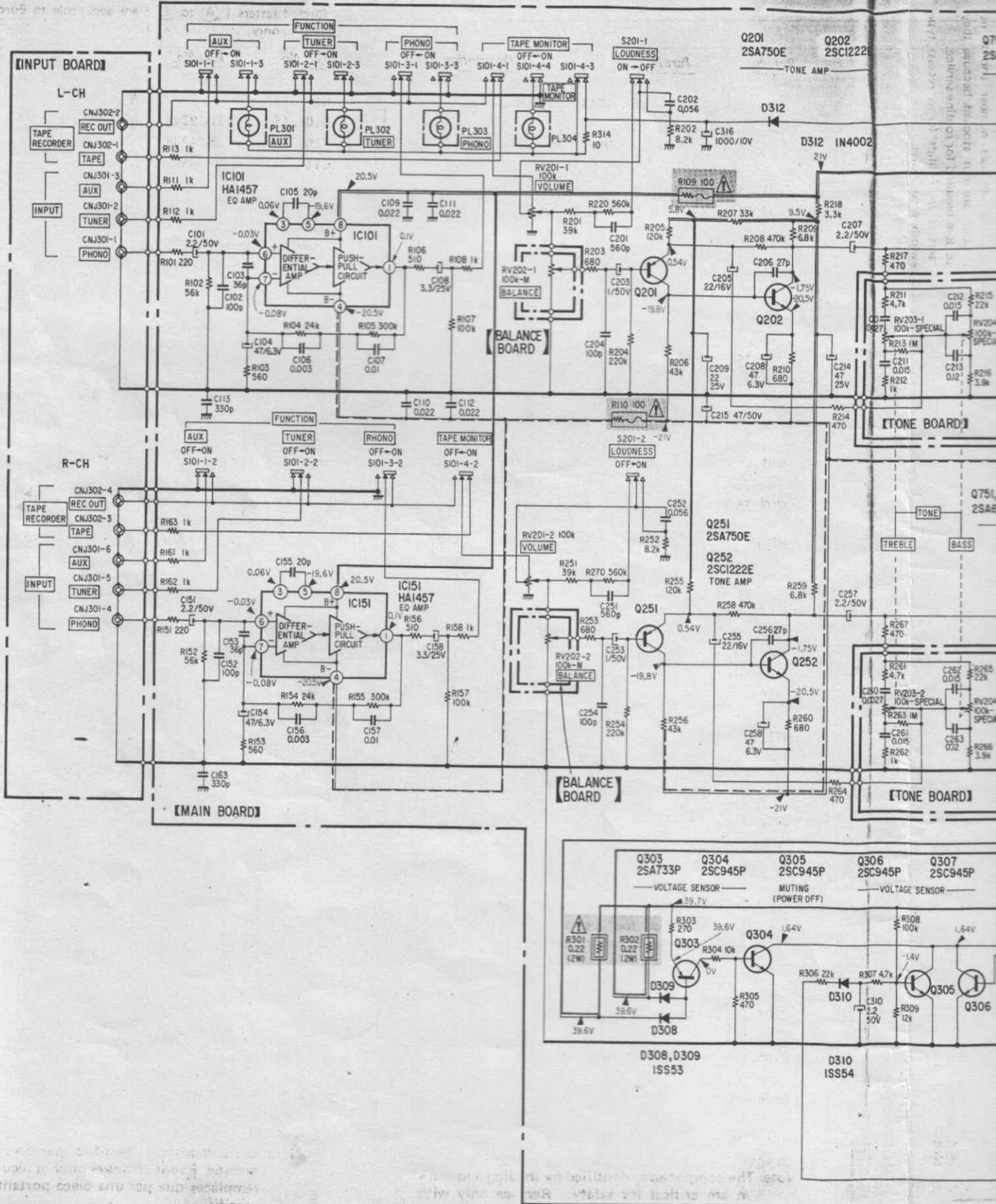
A

B

C

D

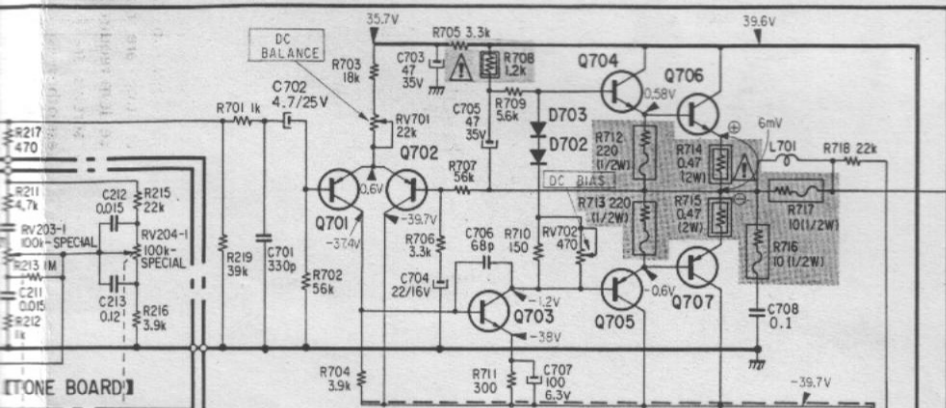
4.2. SCHEMATIC DIAGRAM



Q701, Q702 2SA640E Q703 2SC1940L Q704 2SD414R Q705 2SB548R Q706 2SD586R Q707 2SB616R

POWER AMP

D703 VD1120
D702 VD1220

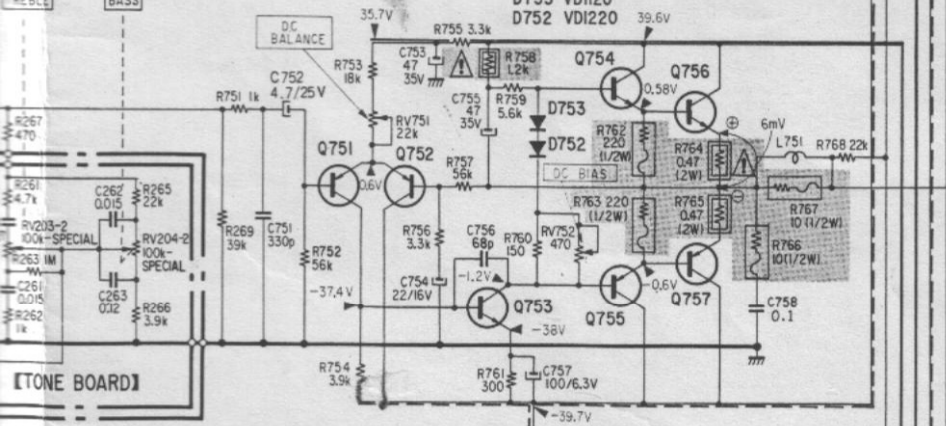


[TONE BOARD]

Q751, Q752 2SA640E Q753 2SC1940L Q754 2SD414R Q755 2SB548R Q756 2SD586R Q757 2SB616R

POWER AMP

D753 VD1120
D752 VD1220

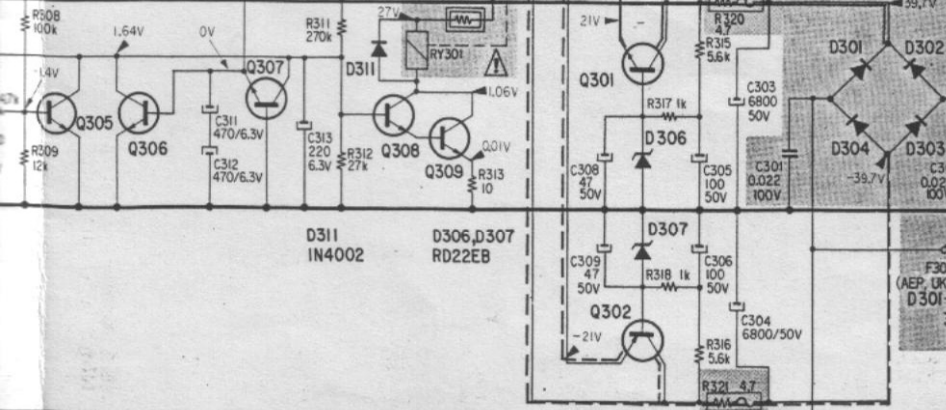


[TONE BOARD]

Q307 2SC945P Q308 2SC945P Q309 2SC2002L

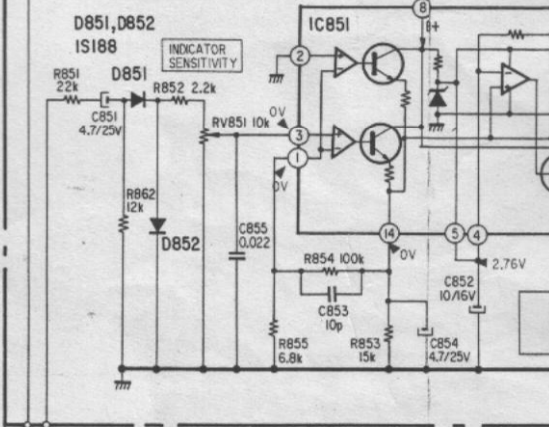
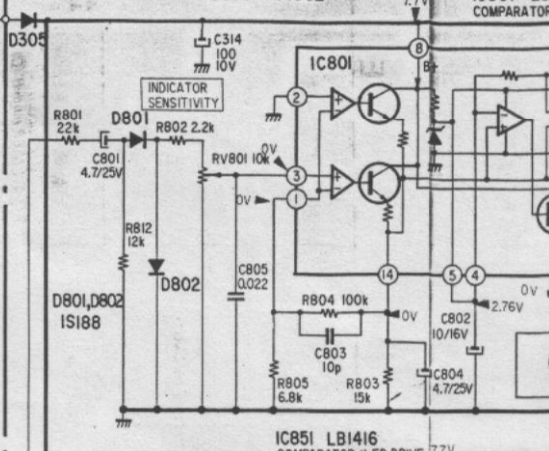
RELAY DRIVE

Q301 2SC2002L VOLTAGE REG

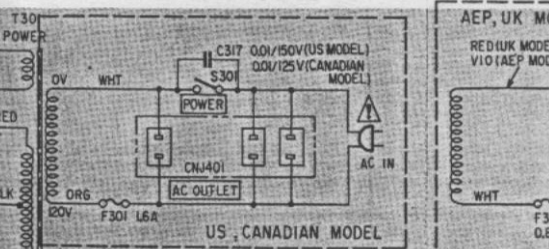


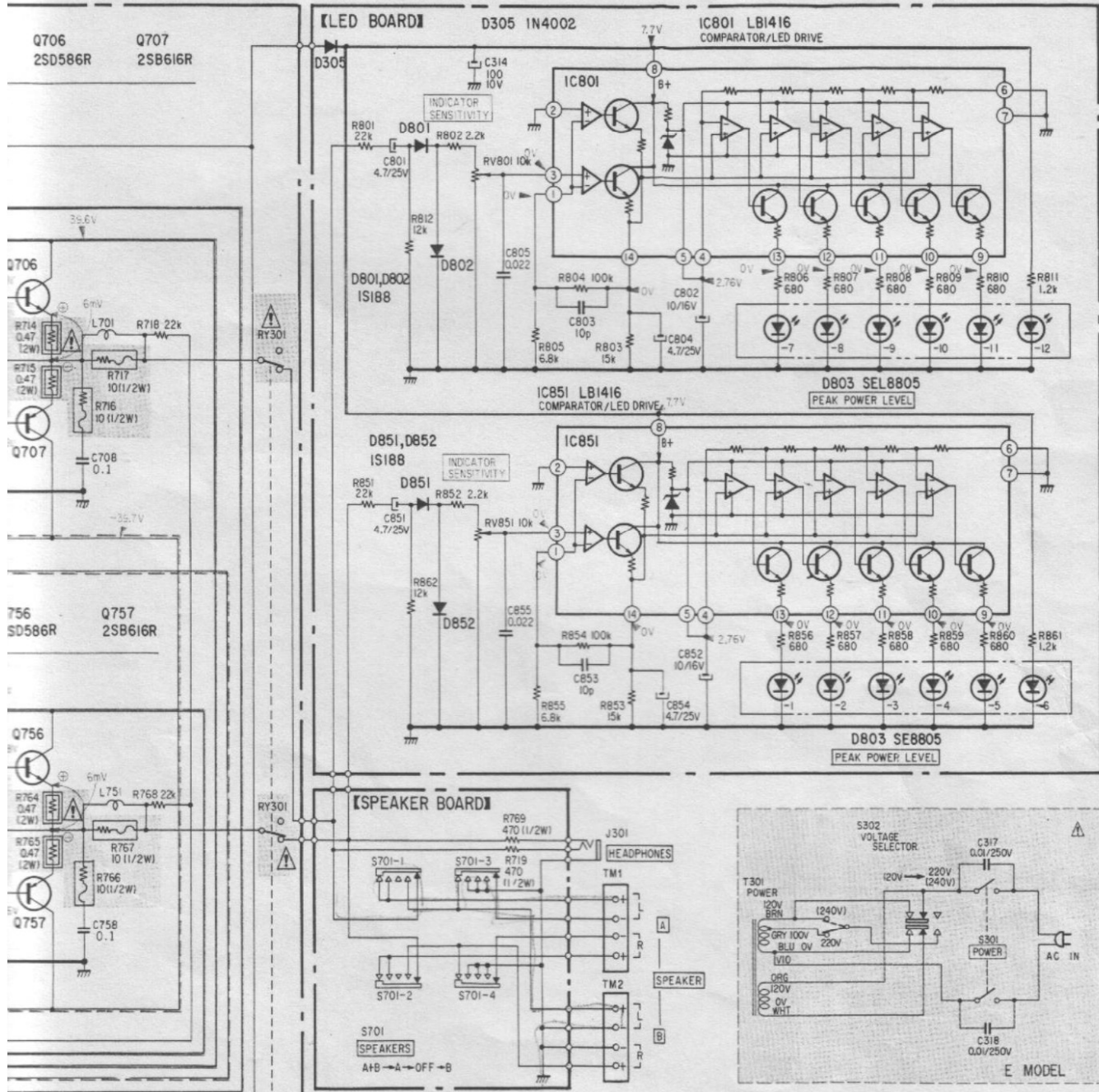
Q302 2SA953L VOLTAGE REG

[LED BOARD]

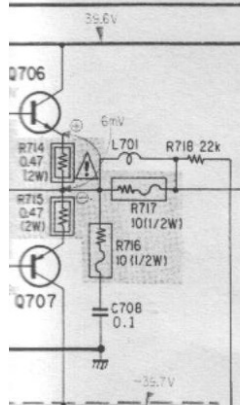


[SPEAKER BOARD]

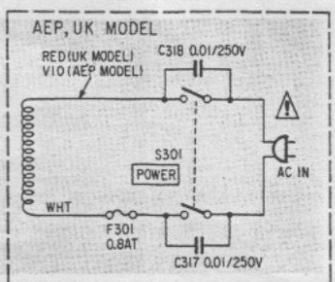
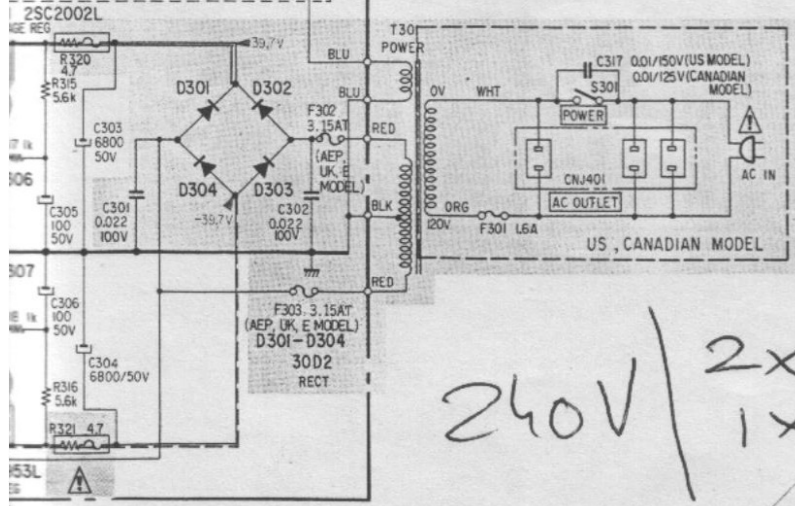
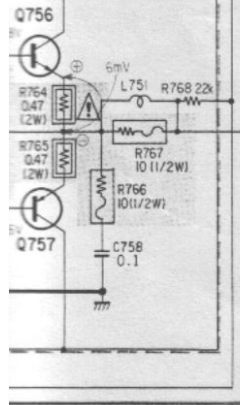




Q706 2SD586R
Q707 2SB616R



756 SD586R
Q757 2SB616R



240V / 2x 28V / 3A
1x 6V / 1A